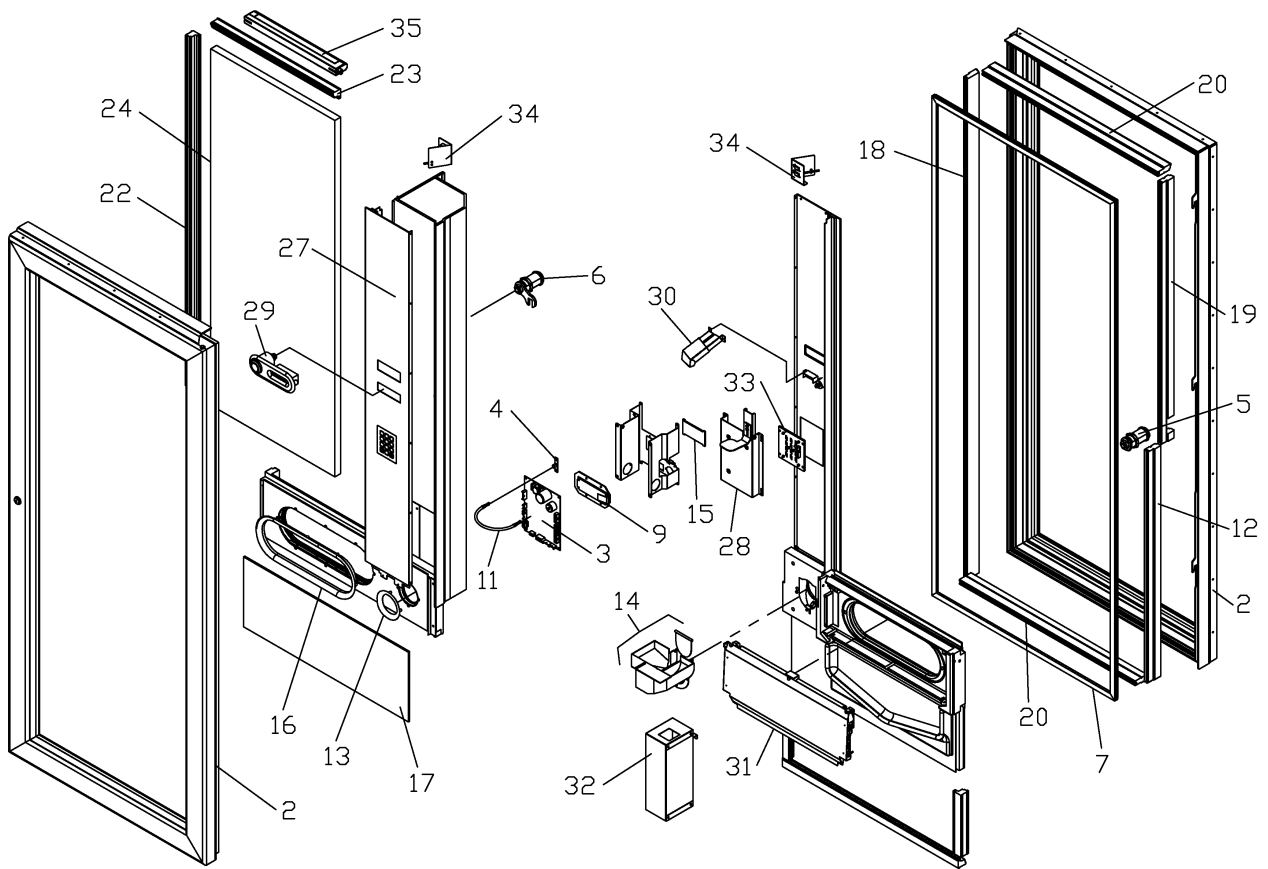
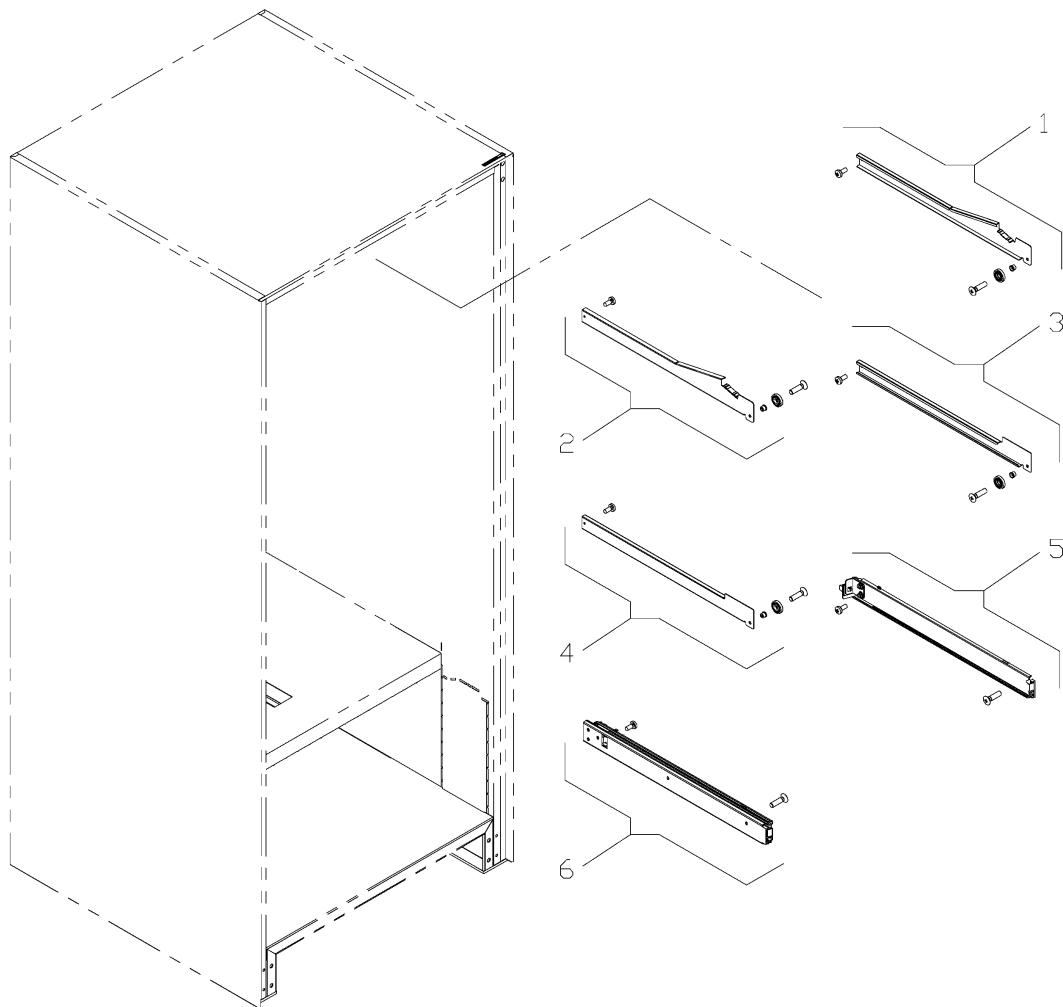




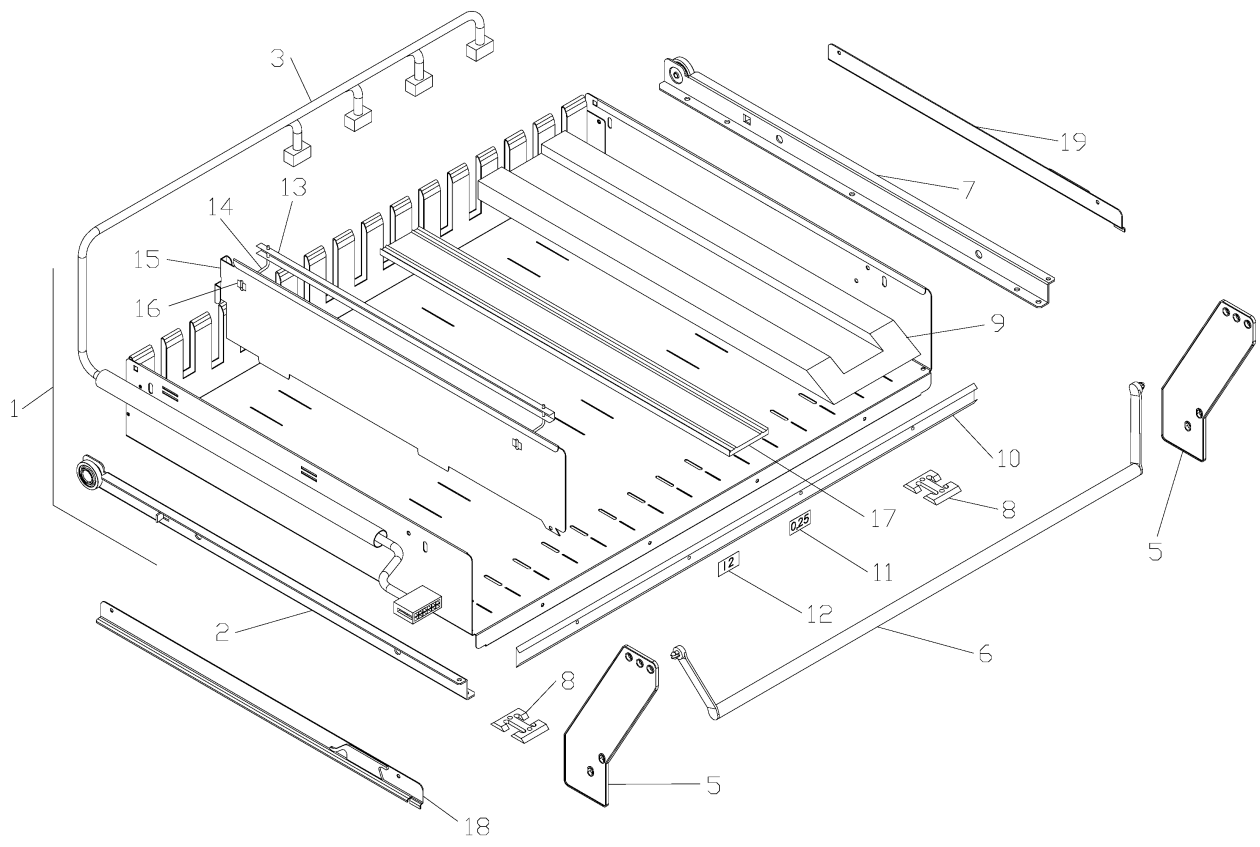
POSITION	CODE	SUBST.	DESCRIPTION	PRICE
0001	-		NOT PRESENT CODE	0,00
0002	310297		TRAY COLUMN HARNESS	0,00
0003	826521		PRODUCT RETURN POCKET	0,00
0004	655389		KICKPLATE (OPTIONAL) - RAL 7021	0,00
0005	621185		COVERLAMP	0,00
0006	750049		CASH BOX HOLDER	0,00
0007	201124		SCREW	0,00
0008	310047		DOOR MICRO	0,00
0009	310315		NEON	0,00
0010	400908		NO SLIP LEG	0,00
0011	201225		SCREW	0,00
0012	720479NN		DOOR UPPER HINGE ASSY	0,00
0013	720480NN		DOOR LOWER RIGHT SUPPORT ASSY	0,00
0014	400949		RIGHT COVER	0,00
0015	082642		REFLECTOR PHOTOCELL BOARD	0,00
0016	220887		SELF-ADHESIVE REFLECTING STICKER	0,00
0017	720488		DOOR SLIDING BRACKET	0,00
0018	820312		REGULATOR PIVOT	0,00



POSITION	CODE	SUBST.	DESCRIPTION	PRICE
0002	826484		R DOOR FRAME (Aluminium)	0,00
0003	082630		MAIN BOARD	0,00
0004	082720		DISTRIBUTION FEEDING BOARD	0,00
0005	210249		BLOCK LOCK	0,00
0006	210320		TUB LOCK+CAM	0,00
0007	221053		MAGNETIC GASKET	0,00
0009	014560		DISPLAY	0,00
0011	310310		FLAT 24V UNIVERSO	0,00
0012	400841		GASKET PROFILE	0,00
0013	624632		CHANGE GIVER FRAME (silver)	0,00
0014	826482		COIN CHUTE ASSY.	0,00
0015	400849		DISPLAY PLATE	0,00
0016	624633		FRAME DELIVERY DOOR (silver)	0,00
0017	400929		SERIGRAPHY PANEL (yellow)	0,00
0018	400867		GASKET PROFILE	0,00
0019	400868		GASKET PROFILE	0,00
0020	400869		GASKET PROFILE	0,00
0022	400872		RIGHT GLASS STOP	0,00
0023	400873		UPPER GLASS STOP	0,00
0024	420067		GLASS	0,00
0027	726276MM		FRONTAL PANEL (RAL 7021)	0,00
0028	826480		COIN-MECHANISM SUPPORT+COIN RETURN LEVER	0,00
0029	826483		COIN RECOVERY PUSH BUTTON ASSY	0,00
0030	826494		COIN CHUTE	0,00
0031	826520		DELIVERY DOOR ASSEMBLY	0,00
0032	755131		COIN BOX ASSEMBLY	0,00
0033	301269		ANTIVANDALISM KEYBOARD	0,00
0034	750052		FUNCTION KEYBOARD	0,00
0035	310319		NEON	0,00

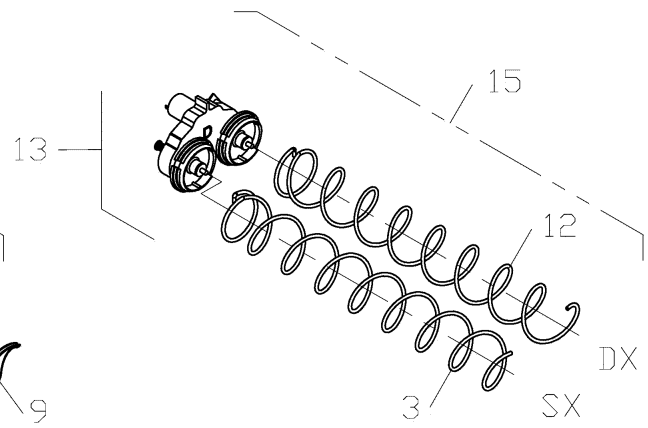
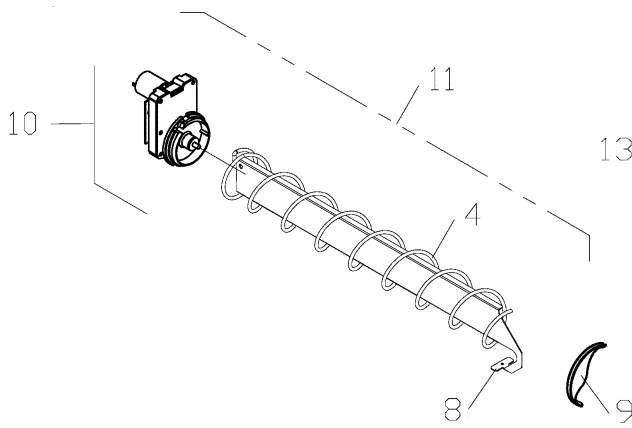
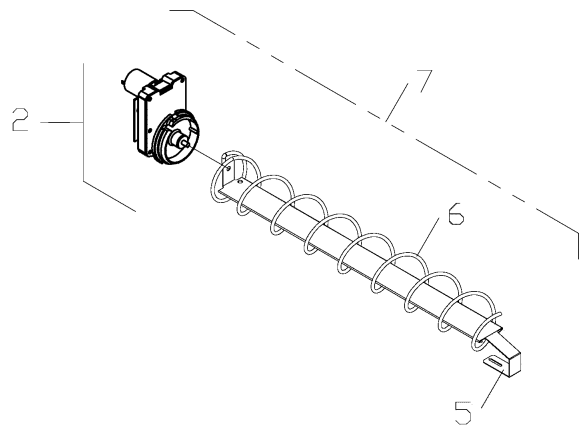
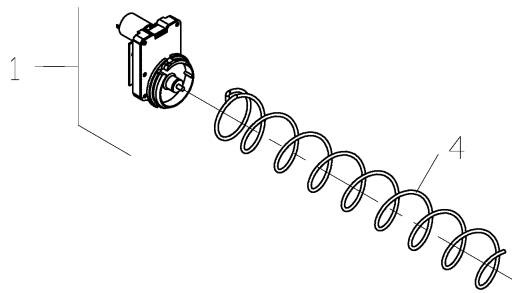


<b>POSITION</b>	<b>CODE</b>	<b>SUBST.</b>	<b>DESCRIPTION</b>	<b>PRICE</b>
0001	801003		RIGHT GUIDE ASSEMBLY	0,00
0002	801004		LEFT SLIDING ASSEMBLY	0,00
0003	801006		RIGHT STRAIGHT GUIDE ASSEMBLY	0,00
0004	801005		LEFT STRAIGHT GUIDE ASSEMBLY	0,00
0005	801021		RIGHT SPECIAL SLIDING GUIDE	0,00
0006	801020		LEFT SPECIAL SLIDING GUIDE	0,00



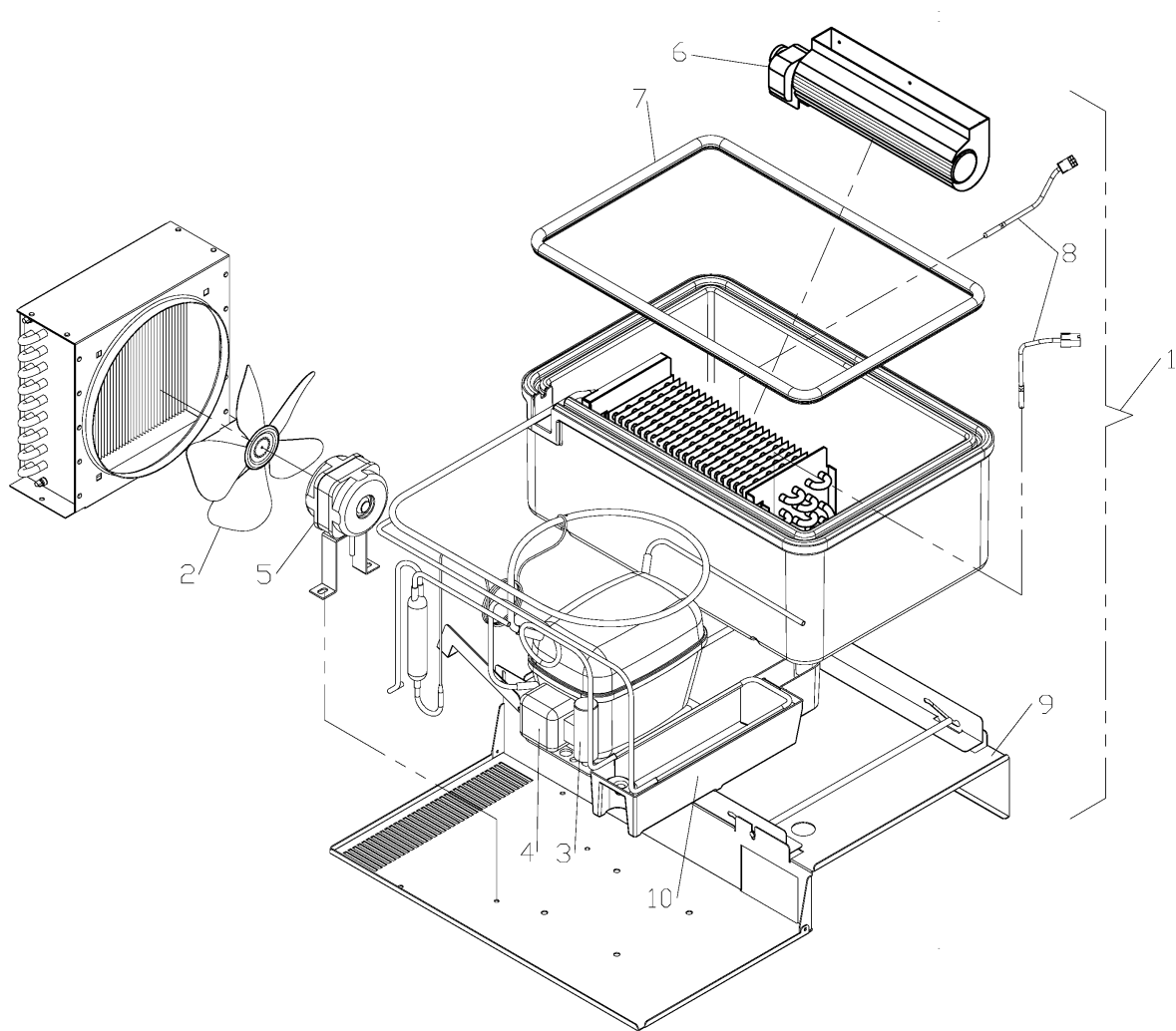
<b>POSITION</b>	<b>CODE</b>	<b>SUBST.</b>	<b>DESCRIPTION</b>	<b>PRICE</b>
0001	801008		KIT TRAY "M" (RAL 9005)	0,00
0002	830143NN		LEFT SLIDING GUIDE ASSEMBLY	0,00
0003	310301		WIRING HARNESS TRAY	0,00
0005	630954		BRACKET FOR DISPENSING BOTTLES	0,00
0006	750043		BOTTLE DISPENSING BAR	0,00
0007	830142NN		RIGHT SLIDING GUIDE ASSEMBLY	0,00
0008	630481		TRAY LOCKING SPRING	0,00
0009	400001		SPIRAL SUPPORT (White)	0,00
0009	400838		SPIRAL SUPPORT (Black)	0,00
0010	400722		PRICE LABEL HOLDER IN PLASTIC	0,00
0011	220064		PRICE LABELS SHEET (Duplexing)	0,00
0011	220165		PRICE LABELS SHEET (1 to 0)	0,00
0011	220201		LABELS NUMBER 2/3/5	0,00
0011	220841		EURO/POUNDS SELECTOR INDIC. PANEL	0,00
0012	220157		SELECTOR INDICATOR PANEL	0,00
0013	400594		ADJUSTABLE SIDE PLATE (Black)	0,00
0013	400595		ADJUSTABLE SIDE PLATE (White)	0,00
0014	211002		ADJUSTABLE SPRING PIN	0,00
0015	630779BI		TRAY SEPARATOR (White)	0,00
0015	630779NN		TRAY SEPARATOR (Black)	0,00
0016	211028		SPRING PIN MIDFEATHER SUPPORT	0,00
0017	400199		SPIRAL TRAY (White)	0,00
0018	210251		SPECIAL LEFT TRAY SUPPORT	0,00
0019	210253		SPECIAL RIGHT TRAY SUPPORT	0,00



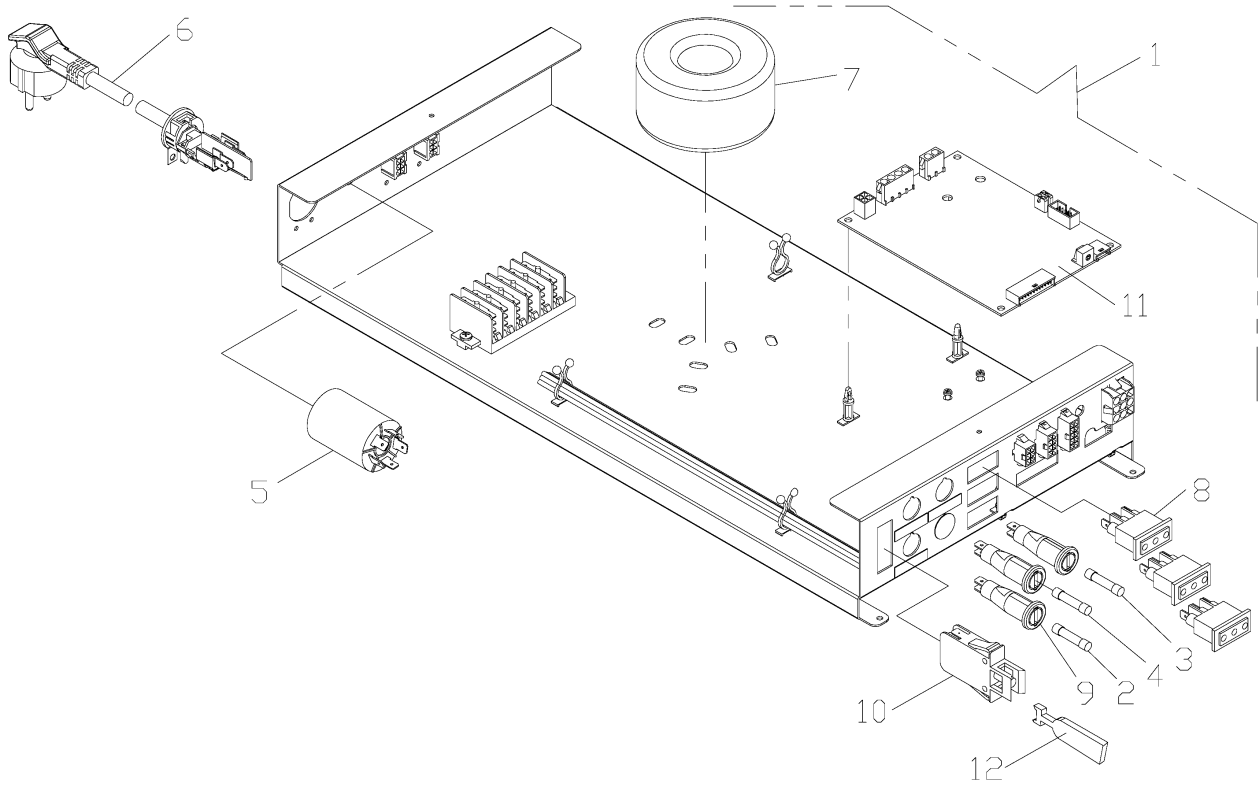


POSITION	CODE	SUBST.	DESCRIPTION	PRICE
0001	830290		GEAR MOTOR UNIT 1 TURN	0,00
0002	830420		GEAR MOTOR UNIT FOR 6 PRODUCTS	0,00
0003	211014NN		SPIRAL PITCH 20 (LEFT)Pr. 20 - Ø66	0,00
0003	211017NN		SPIRAL PITCH 42 (LEFT)Pr. 9 - Ø66	0,00
0003	211019NN		SPIRAL PITCH 26 (LEFT)Pr. 16 - Ø66	0,00
0003	211027NN		SPIRAL PITCH 36 (LEFT)Pr. 11 - Ø66	0,00
0003	211043NN		SPIRAL PITCH 80 (LEFT)Pr. 5 - Ø70	0,00
0003	211081NN		SPIRAL PITCH 30 (LEFT)Pr. 13 - Ø66	0,00
0003	211085NN		SPIRAL PITCH 64 (LEFT)Pr. 6 - Ø66	0,00
0003	211086NN		SPIRAL PITCH 54 (LEFT)Pr. 7 - Ø66	0,00
0004	211013NN		SPIRAL PITCH 45 (LEFT)Pr. 9 - Ø78	0,00
0004	211014NN		SPIRAL PITCH 20 (LEFT)Pr. 20 - Ø66	0,00
0004	211017NN		SPIRAL PITCH 42 (LEFT)Pr. 9 - Ø66	0,00
0004	211019NN		SPIRAL PITCH 26 (LEFT)Pr. 16 - Ø66	0,00
0004	211027NN		SPIRAL PITCH 36 (LEFT)Pr. 11 - Ø66	0,00
0004	211043NN		SPIRAL PITCH 80 (LEFT)Pr. 5 - Ø70	0,00
0004	211054NN		SPIRAL PITCH 100 (LEFT)Pr. 4 - Ø78	0,00
0004	211057NN		SPIRAL PITCH 10 (LEFT)Pr. 43 - Ø66	0,00
0004	211064NN		SPIRAL PITCH 19 (LEFT)Pr. 20 - Ø78	0,00
0004	211081NN		SPIRAL PITCH 30 (LEFT)Pr. 13 - Ø66	0,00
0004	211082NN		SPIRAL PITCH 35 (LEFT)Pr. 11 - Ø78	0,00
0004	211083NN		SPIRAL PITCH 55 (LEFT)Pr. 7 - Ø78	0,00
0004	211084NN		SPIRAL PITCH 78 (LEFT)Pr. 5 - Ø78	0,00
0004	211085NN		SPIRAL PITCH 64 (LEFT)Pr. 6 - Ø66	0,00
0004	211086NN		SPIRAL PITCH 54 (LEFT)Pr. 7 - Ø66	0,00
0004	211087NN		SPIRAL PITCH 65 (LEFT)Pr. 6 - Ø78	0,00
0004	211135NN		SPIRAL PITCH 88 (LEFT)Pr. 5 - Ø78	0,00
0004	211167NN		SPIRAL PITCH 75 (LEFT) (6 PRODOTTI)Pr. 6 - Ø66	0,00
0005	855155		PRODUCT SUPPORT KIT ASSY FOR 6	0,00
0006	211167NN		SPIRAL PITCH 75 (LEFT) (6 PRODOTTI)Pr. 6 - Ø66	0,00
0007	855139		MOTOR ASSY + SPRING 6 PROD. FOR CANSPr. 6 - Ø66	0,00
0008	630773NN		INTERNAL SEPARATOR FOR 1/2 TURN	0,00
0009	400800		PRODUCT PUSHER	0,00
0010	830299		SPIRAL GR. PITCH ½ TOURN.	0,00
0011	855241		MOTOR ASSY + SPRING ½ TOURN P.20Pr. 20X2 - Ø66	0,00
0011	855242		MOTOR ASSY + SPRING ½ TOURN P.26Pr. 16X2 - Ø66	0,00
0011	855243		MOTOR ASSY + SPRING ½ TOURN P.30Pr. 13X2 - Ø66	0,00
0012	211039NN		SPIRAL PITCH 64 (RIGHT) Pr. 6 - Ø66	0,00
0012	211041NN		SPIRAL PITCH 36 (RIGHT) Pr. 11 - Ø66	0,00
0012	211042NN		SPIRAL PITCH 42 (RIGHT) Pr. 9 - Ø66	0,00
0012	211079NN		SPIRAL PITCH 20 (RIGHT) Pr. 20 - Ø66	0,00
0012	211088NN		SPIRAL PITCH 54 (RIGHT) Pr. 7 - Ø66	0,00
0012	211089NN		SPIRAL PITCH 26 (RIGHT) Pr. 16 - Ø66	0,00
0012	211090NN		SPIRAL PITCH 30 (RIGHT) Pr. 13 - Ø66	0,00
0012	211091NN		SPIRAL PITCH 80 (RIGHT) Pr. 5 - Ø70	0,00
0013	830291		DOUBLE SPIRAL GR. PITCH	0,00
0015	855373		MOTOR ASSY + DOUBLE SPIRALS P.54Pr. 7 - Ø66	0,00

0015	855700	MOTOR ASSY + DOUBLE SPIRALS P.26Pr. 16 - Ø66	0,00
0015	855701	MOTOR ASSY + DOUBLE SPIRALS P.30Pr. 13 - Ø66	0,00
0015	855702	MOTOR ASSY + DOUBLE SPIRALS P.36Pr. 11 - Ø66	0,00
0015	855703	MOTOR ASSY + DOUBLE SPIRALS P.42Pr. 9 - Ø66	0,00
0015	855705	MOTOR ASSY + DOUBLE SPIRALS P.64Pr. 6 - Ø66	0,00
0015	855706	MOTOR ASSY + DOUBLE SPIRALS P.80Pr. 5 - Ø66	0,00



<b>POSITION</b>	<b>CODE</b>	<b>SUBST.</b>	<b>DESCRIPTION</b>	<b>PRICE</b>
0001	840207RC		REFRIGERATION UNIT	0,00
0002	410371		BLADE	0,00
0003	-		NOT PRESENT CODE	0,00
0004	-		NOT PRESENT CODE	0,00
0005	410377		FAN MOTOR	0,00
0006	410103		BLOWER	0,00
0007	221059		DRAWN RUBBER GASKET	0,00
0008	300458		TEMPERATURE SENSOR CABLE	0,00
0009	-		NOT PRESENT CODE	0,00
0010	400840		DRIP TRAY	0,00



POSITION	CODE	SUBST.	DESCRIPTION	PRICE
0001	-		NOT PRESENT CODE	0,00
0002	300425		FUSE DELAYED 6,3X32 CT16A	0,00
0003	300410		FUSE 6,3X32 3,15A	0,00
0004	300415		FUSE 6,3X32 6,3A	0,00
0005	300310		RADIO NOISE SUPP. FILTER	0,00
0006	300133		FEED WIRE + TERMINAL (STD)	0,00
0006	300459		FEED WIRE + TERMINAL (UK)	0,00
0007	310183		TRANSFORMER	0,00
0008	16700055A		POWER POINT	0,00
0009	-		NOT PRESENT CODE	0,00
0010	300434		TWILL MICRO DOOR	0,00
0011	082635		POWER BOARD	0,00
0012	400130		SERVICE KEY	0,00